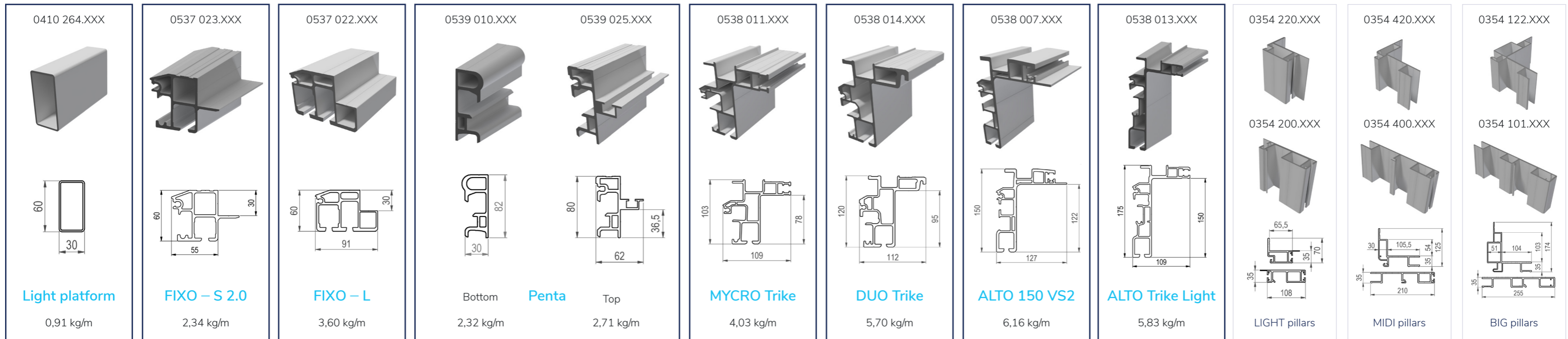


Ceiling construction - Overview



Ceiling construction	max. length without center pillar	max. length 1 center pillar	max. length 2 center pillars	max. length 3 center pillars	max. tonnage of the vehicle	max. length	max. tonnage LIGHT pillars	max. tonnage MIDI pillars	max. tonnage BIG pillars	max. height LIGHT pillars	max. height MIDI pillars	max. height BIG pillars
Light platform	4000 mm	5300 mm	✗	✗	7,5 t	5300 mm	7,5 t	✗	✗	2600 mm	✗	✗
FIXO – S 2.0	4000 mm	5900 mm	✗	✗	5 t	5900 mm	5 t	✗	✗	2600 mm	✗	✗
FIXO – L	5000 mm	7900 mm	8500 mm	✗	18 t	8500 mm	7,5 t	18 t	✗	2600 mm	2800 mm	✗
Penta	6000 mm	✗	✗	✗	7,5 t	5300 mm	7,5 t	✗	✗	2600 mm	✗	✗
MYCRO Trike	5000 mm	8600 mm	8600 mm	8600 mm	18 t	8600 mm	7,5 t	18 t	18 t	2600 mm	2800 mm	3100 mm
DUO Trike	6000 mm	7900 mm	9800 mm	13600 mm	32 t (48 t)	13600 mm	✗	18 t	32 t (48 t)	✗	2800 mm	3100 mm
ALTO 150 VS2	6000 mm	7900 mm	9800 mm	13600 mm	32 t (48 t)	13600 mm	✗	18 t	32 t (48 t)	✗	2800 mm	3100 mm
ALTO Trike Light	6000 mm	7900 mm	9800 mm	✗	32 t	9800 mm	✗	18 t	32 t	✗	2800 mm	3100 mm